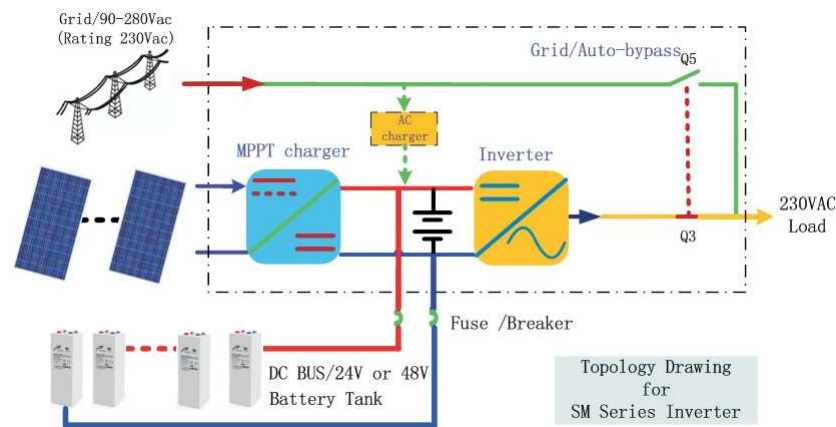


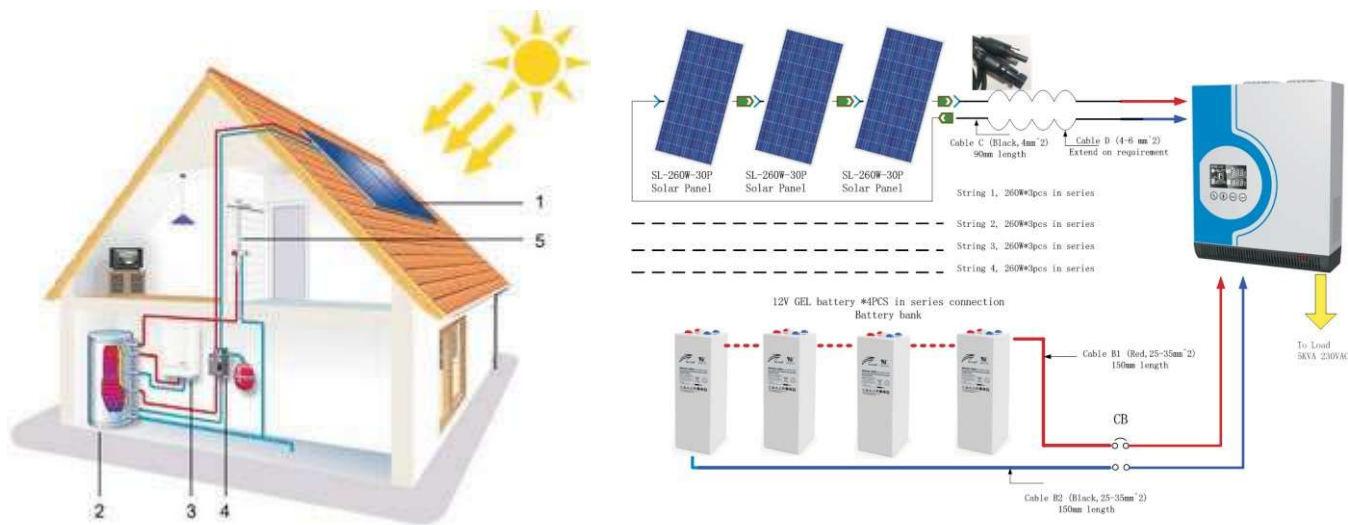
SM series High Efficiency inverter integrated with MPPT charger

- Pure sine wave Output Inverter, 50/60Hz configurable
- Built-In MPPT Solar charge (eff. 98.2%), save the investment in solar panel in harvesting PV Energy
- High Efficiency Inverter (up to 93%) to prolong long back up time
- AC or Solar input Priority Settable via LCD Screen
- Wider AC Input voltage range selectable for different applications, Built-in 25A AC charger
- Advanced battery management(ABM) system inside to increase battery cycle life
- Able to switch on/off external AC generator depending on the level of battery
- Auto restart while AC is recovering
- Overload and short circuit protection

**SM Series Off-Grid Solar System
(3-5KVA, Scalable to 30KVA)**



Typical application system connection



**For Enquiry:
Please contact**

Email: info@akaglobalpower.com
Website: www.akaglobalpower.com

SM Series Datasheet

Model	SM-3K-24V	SM-5K-48V	SM-5K-48V-X
Rating Power	3KVA/2.4KW	5KVA/4.2KW	5KVA/4.0KW
Input			
AC Input Voltage	230Vac		
Selectable Voltage Range	90-280Vac		
Frequency Range	50Hz/60Hz (Auto sensing)		
Normal battery Voltage	24V _{DC}	48V _{DC}	48V _{DC}
Output			
AC Voltage Regulation(Battery Mode)	230Vac(±5%,user selectable)		
Output wave	Pure sine wave		
Transfer time	10ms (For personal Computers); 20ms (For all Home application)		
Surge Power	6KVA	10KVA	10KVA
Inverter Efficiency	91.2%	93.2%	93.2%
Standby Power Consumption	2W (In no load situation)		
Battery			
Normal bat. Voltage	24V _{DC}	48V _{DC}	48V _{DC}
Float charge Voltage	27V _{DC}	54V _{DC}	54V _{DC}
Overcharge protect	31V _{DC}	62V _{DC}	62V _{DC}
Battery & MPPT charger & AC(Utility) charger			
Maximum PV Array Power	Rating 1600Wp, Max 2000Wp	Rating 3200Wp, Max 3750Wp	Rating 3000Wp, Max 3300Wp
MPPT tracking Range	30-75V _{DC}	65-145V _{DC}	65-145V _{DC}
Maxi. PV Array Open Circuit Voltage	80V _{DC}	150V _{DC}	150V _{DC}
Max. MPPT solar charge current	24V 80A MPPT	48V 80A MPPT	48V 60A MPPT
Max.AC Grid charger current	0A/2A/10A/25A settable in LCD		
Max. Charge current(PV+AC)	105A		
Physical			
Dimension (L*W*H)	268*342*94mm	394*436*118mm	295*468*120mm
Package size	300*400*120mm	440*500*170mm	400*600*200mm
Net Weight	5.7kg	10.3kg	11.0kg
Gross weight	7.5kg	12.9kg	14.5Kg
Environment			
Certification	CE		
Operating Temperature Range	0-55°C		
Storage temperature	-15°C-60°C		

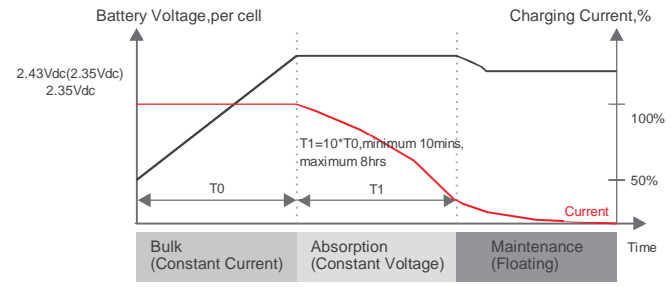


**For Enquiry:
Please contact**

Email: info@akaglobalpower.com
 Website: www.akaglobalpower.com

ABM(Advanced Battery Managing System) for battery charging managing

Boost CC CV in battery charging Setting		Boost CC, CV	Float
	Battery Type	24/48	24/48
	Flooded	29.2/58.4	27.0/54.0
	AGM/Gel	28.2/56.4	27.0/54.0





This document was created with the Win2PDF "print to PDF" printer available at <http://www.win2pdf.com>

This version of Win2PDF 10 is for evaluation and non-commercial use only.

This page will not be added after purchasing Win2PDF.

<http://www.win2pdf.com/purchase/>